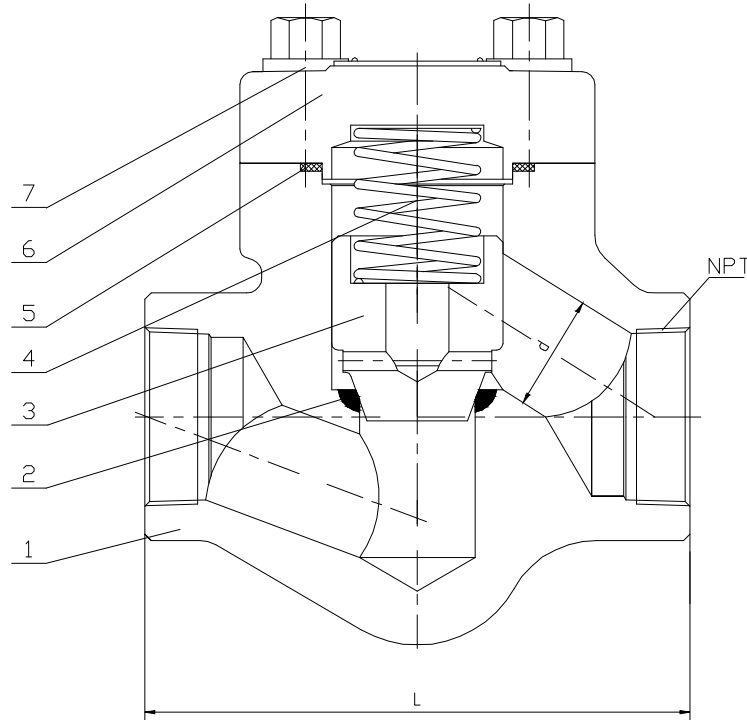


ITEM	NPS-DN		Class 800 Dimensions			
	in	mm	d	L	-	NPT
-	1/2	15	10	79	-	1/2
-	3/4	20	13	92	-	3/4
-	1	25	17	111	-	1
-	1-1/4	32	22	120	-	1-1/4
-	1-1/2	40	27	152	-	1-1/2
-	2	50	33	172	-	2

7	Bolt	ASTM A193 Gr.B7	
6	Bonnet	ASTM A105N	
5	Gasket	FLEXIBLE GRAPHITE+304	
4	Spring	Inconel X750	
3	Disc	ASTM A182 F6a CL.2	
2	Seat	Overlay 13Cr	
1	Body	ASTM A105N	
NO	PART NAME	MATERIAL	REMARKS



FORMEN VALVE
 INFO@FORMENVALVE.COM WWW.FORMENVALVE.COM

FORGED STEEL LIFT CHECK NPT VALVE
 CLASS 800LB

REVISION RECORD		INSPECTION & TEST: API 598				MATERIAL:	A105N	DRAWING BY:	HZH		
△		END	ASME B1.20.1	SHELL	HYDRO	21.0	Mpa	CLASS:	800LB	CHK'D & APP'D BY:	WLS
△		FACE TO FACE	MANUF.STD	SEAT	AIR	0.6		SIZE:	SEE TABLE	TEMPERATURE:	-29~425°C
△		DESIGNED	API 602	BACK SEAT	HYDRO	15.4		DATE:	2017/03/27	MEDIA:	W.O.G
REV. No.	DESCRIPTION	DATE	Des'd	Rev'd	APP'D						