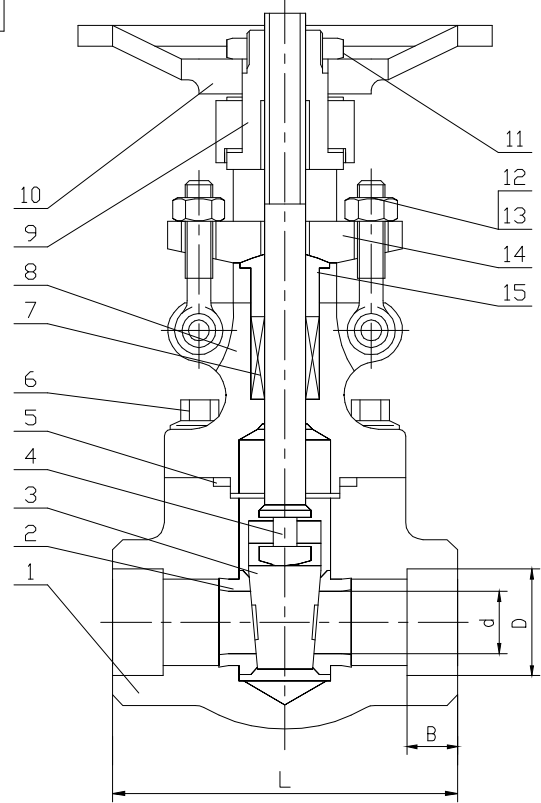


ITEM	NPS-DN			Class 800 Dimensions				
	in	mm	d	L	-	-	D	B
-	1/2	15	10	79	-	-	21.9	10
-	3/4	20	13	92	-	-	27.3	13
-	1	25	17	111	-	-	34	13
-	1-1/4	32	23	120	-	-	42.8	13
-	1-1/2	40	28	120	-	-	49	13
-	2	50	36	140	-	-	61.3	16



NO	PART NAME	MATERIAL	REMARKS
15	Gland	ASTM A276 410	
14	Gland Flange	ASTM A105N	
13	Gland Nut	ASTM A194 Gr.2H	
12	Gland Eyebolt	ASTM A193 Gr.B7	
11	Handwheel Nut	AISI A29 1035	
10	Handwheel	MALLEABLE IRON	
9	Stem Nut	ASTM A276 410	
8	Bonnet	ASTM A105N	
7	Packing	GRAPHITE	
6	Bonnet Bolt	ASTM A193 Gr.B7	
5	Gasket	FLEXIBLE GRAPHITE/304	
4	Stem	ASTM A182 F6a CL.2	
3	Wedge Disc	ASTM A182 F6a CL.2	
2	Seat	ASTM A182 F6a CL.2	
1	Body	ASTM A105N	

**FORMEN VALVE**  
 INFO@FORMENVALVE.COM    WWW.FORMENVALVE.COM  
 FORGED STEEL SW GATE VALVE  
 CLASS 800LB

REVISION RECORD					INSPECTION & TEST: API 598			MATERIAL:	A105N	DRAWING BY:	HZH
END	ASME B16.11	SHELL	HYDRO	21.0	Mpa	CLASS:	800LB	CHK'D & APP'D BY:	WLS		
FACE TO FACE	MANUF.STD	SEAT	AIR	0.6		SIZE:	SEE TABLE	TEMPERATURE:	-29~425C		
DESIGNED	API 602	BACK SEAT	HYDRO	15.4		DATE:	2017/03/27	MEDIA:	W.O.G		