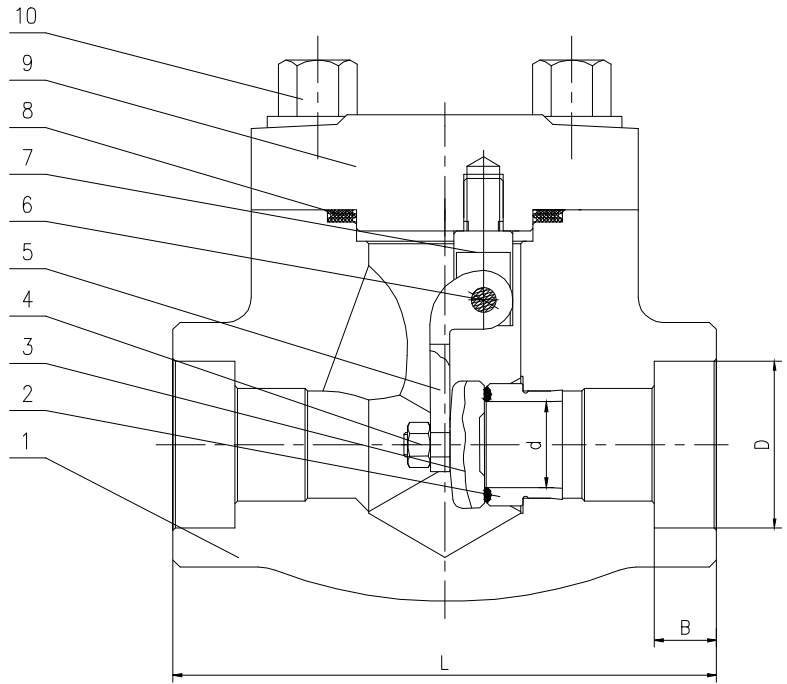


ITEM	NPS-DN		Class 800 Dimensions				
	in	mm	d	-	-	D	B
-	1/2	15	10	-	-	21.9	10
-	3/4	20	13	-	-	27.3	13
-	1	25	17	-	-	34	13
-	1-1/4	32	23	-	-	42.8	13
-	1-1/2	40	28	-	-	49	13
-	2	50	36	-	-	61.3	15.9

10	Bonnet Bolt	ASTM A193 Gr.B7	
9	Bonnet	ASTM A105N	
8	Gasket	FLEXIBLE GRAPHITE/304	
7	Swing Arm	ASTM A105N	
6	Hinge Pin	ASTM A276 410	
5	Hinge	ASTM A105N	
4	Nut	ASTM A194 Gr.2H	
3	Disc	ASTM A182 F6a CL.2	
2	Seat	ASTM A182 F6a CL.2	
1	Body	ASTM A105N	
NO	PART NAME	MATERIAL	REMARKS



FORMEN VALVE
 INFO@FORMENVALVE.COM WWW.FORMENVALVE.COM
 FORGED STEEL SWING CHECK SW VALVE
 CLASS 800LB

		INSPECTION & TEST: API 598			MATERIAL:	A105N	DRAWING BY:	HZH	
END	ASME B16.11	SHELL	HYDRO	21.0	Mpa	CLASS:	800LB	CHK'D & APP'D BY:	WLS
FACE TO FACE	MANUF.STD	SEAT	AIR	0.6		SIZE:	SEE TABLE	TEMPERATURE :	-29~425℃
DESIGNED	API 602	BACK SEAT	HYDRO	15.4		DATE:	2017/03/27	MEDIA :	W.O.G

REV. No.	DESCRIPTION	DATE	Des'd	Rev'd	APP'D
△					
△					

REVISION RECORD